

Installation instructions for PZ4AL-02406-00

Under Run Protective Shield Engine Bay and Transmission Case

TOYOTA Hiace



Model Year: **2005-2009** **06.2012 - 12.2013**

Vehicle Code: **TRH223L-LEMNKX** **KDH223L-LEMNYX**

Part Number: **PZ4AL-02406-00**



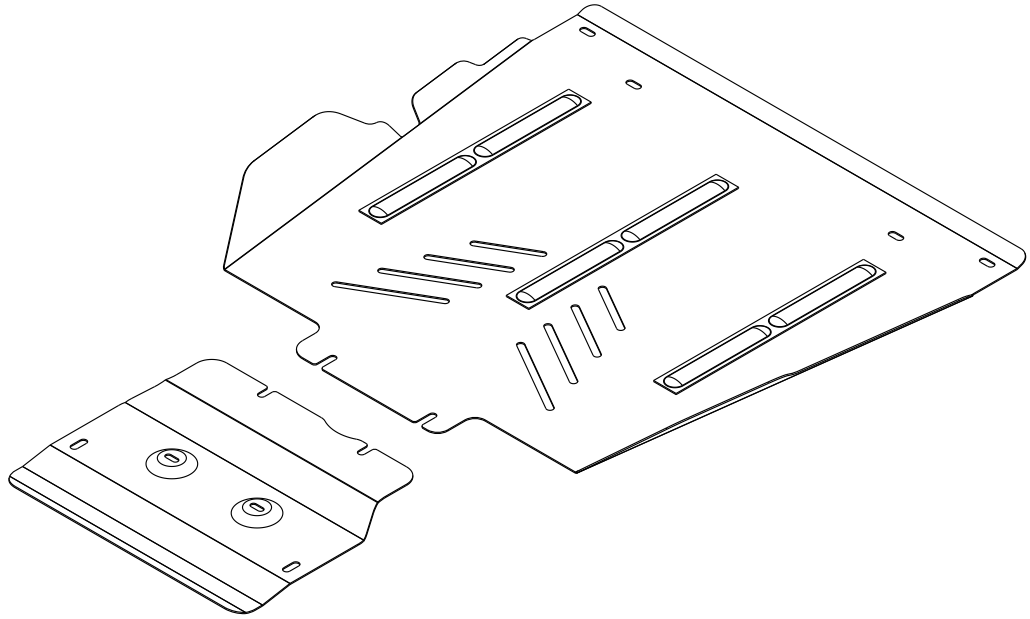
Weight: **15,91 kg**



Installation Time: **40 min**

PZ4AL-02406-00

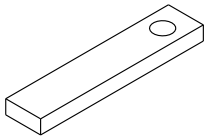
A1



A2

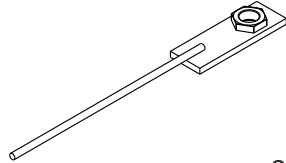
PZ4AL-02406-60

B



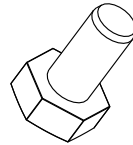
4x

C



2x

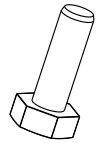
D1



M8x20

8x

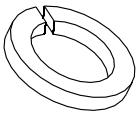
D2



M8x30

2x

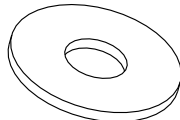
E1



Ø8G

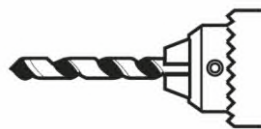
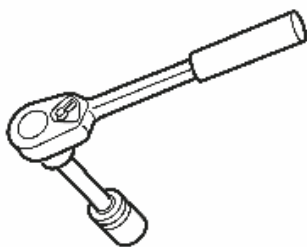
10x

E2

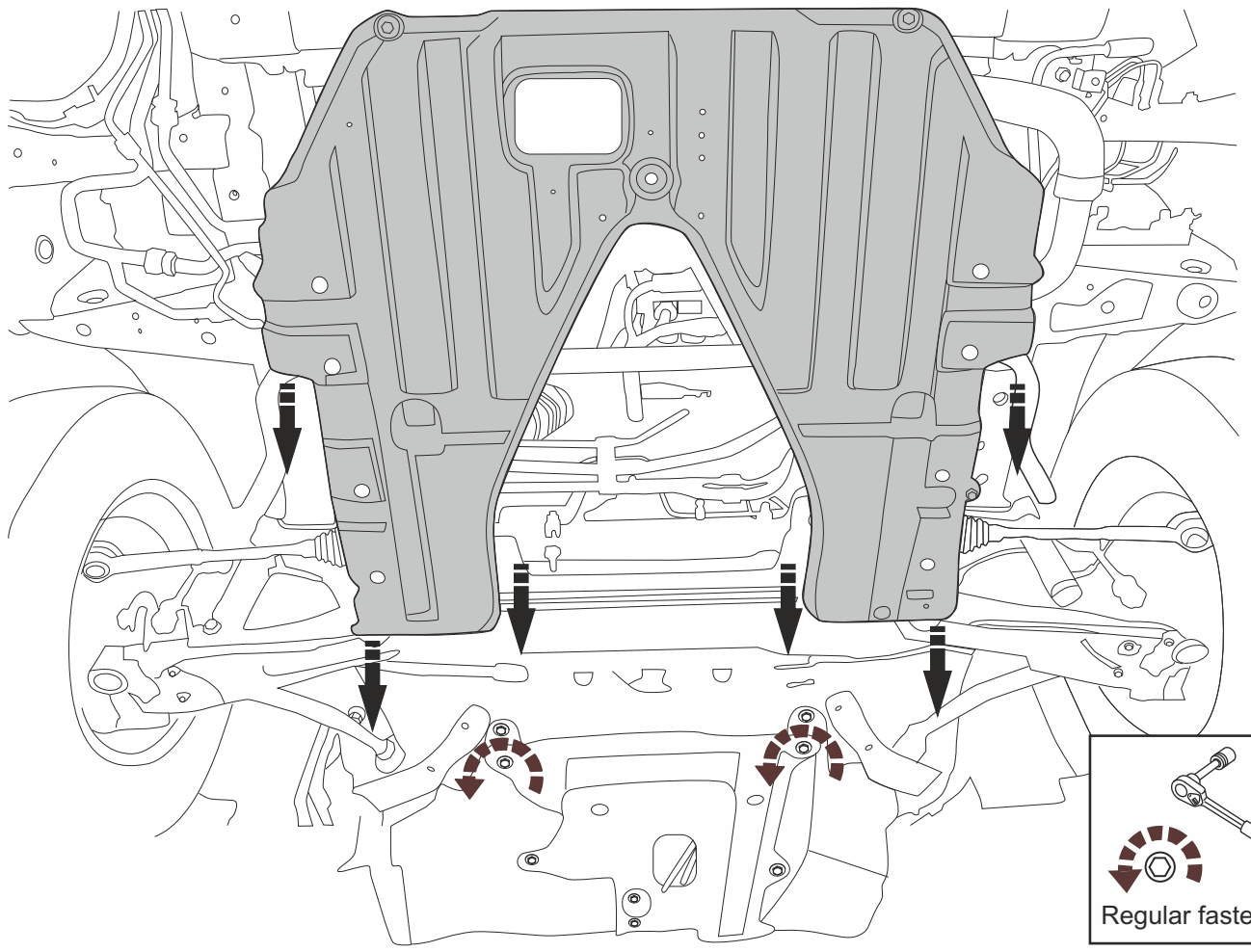


Ø8

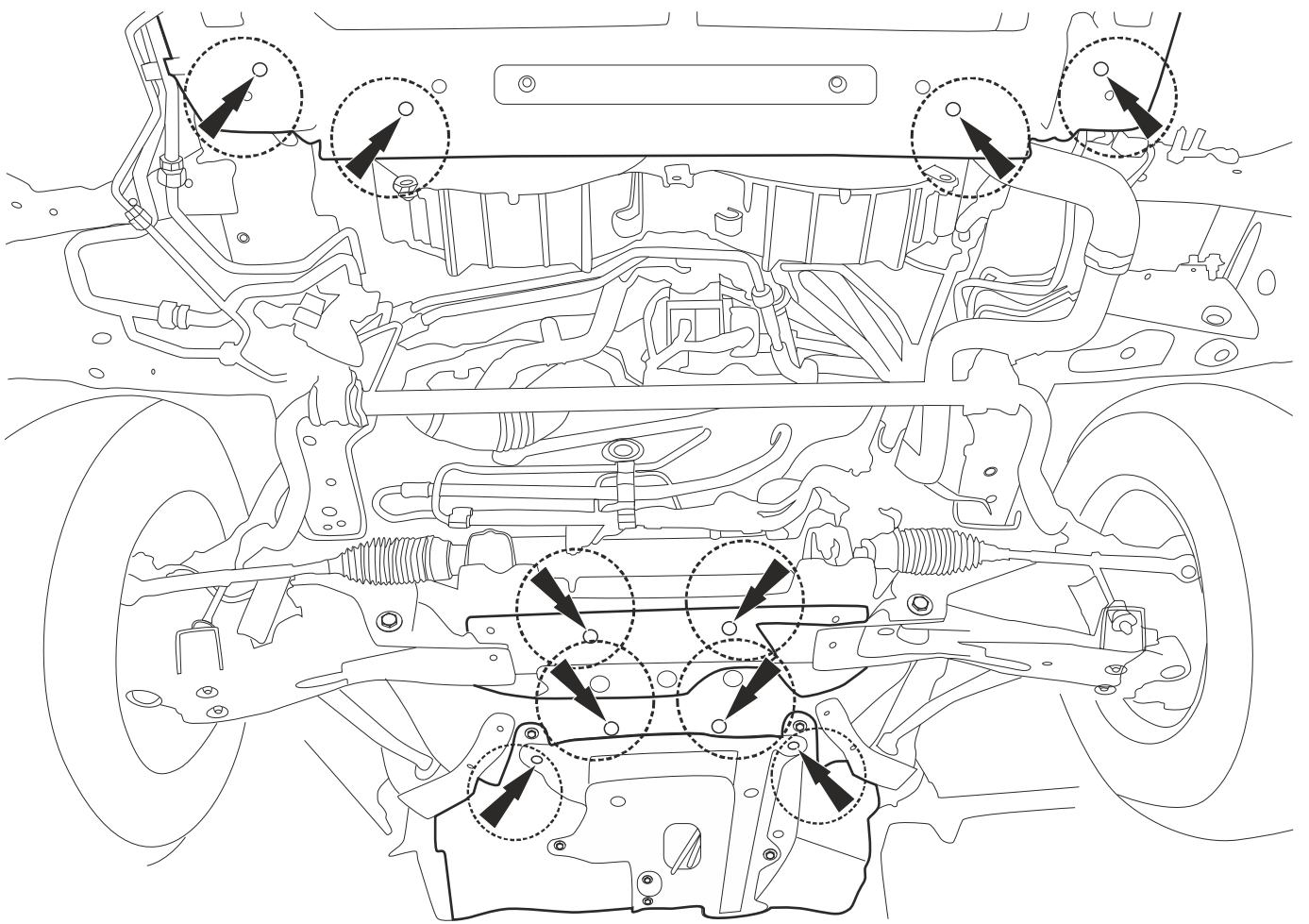
10x



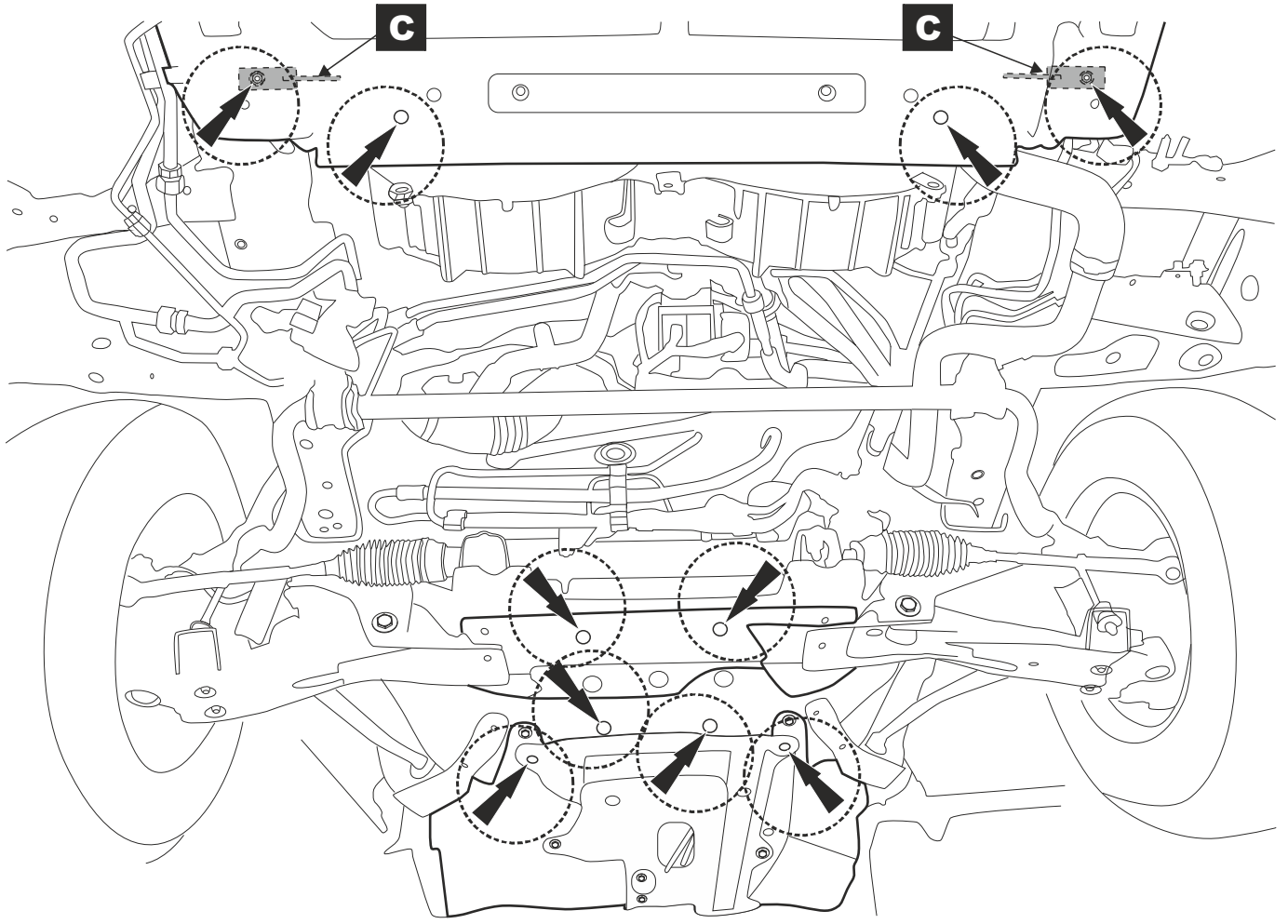
1



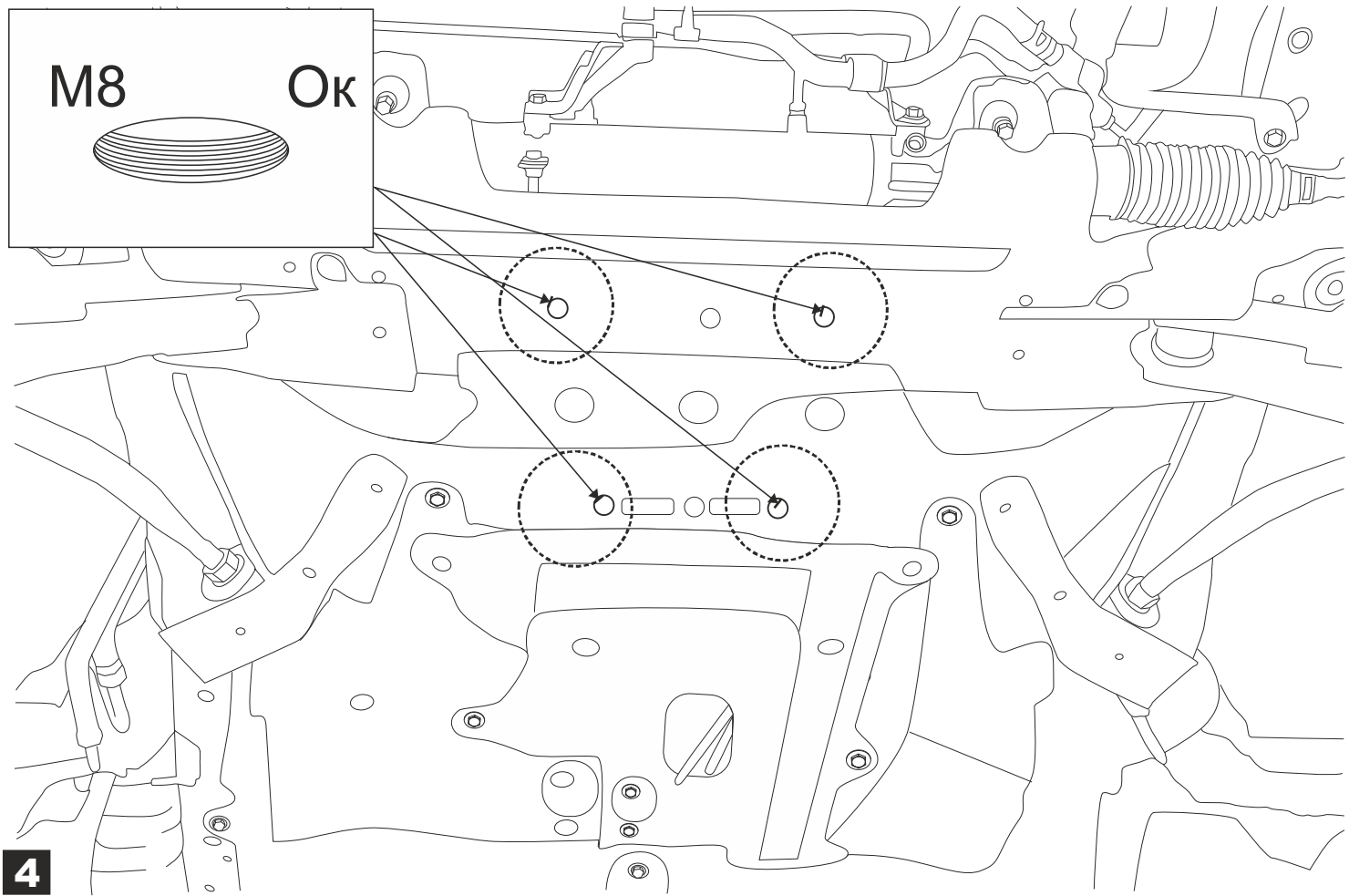
2



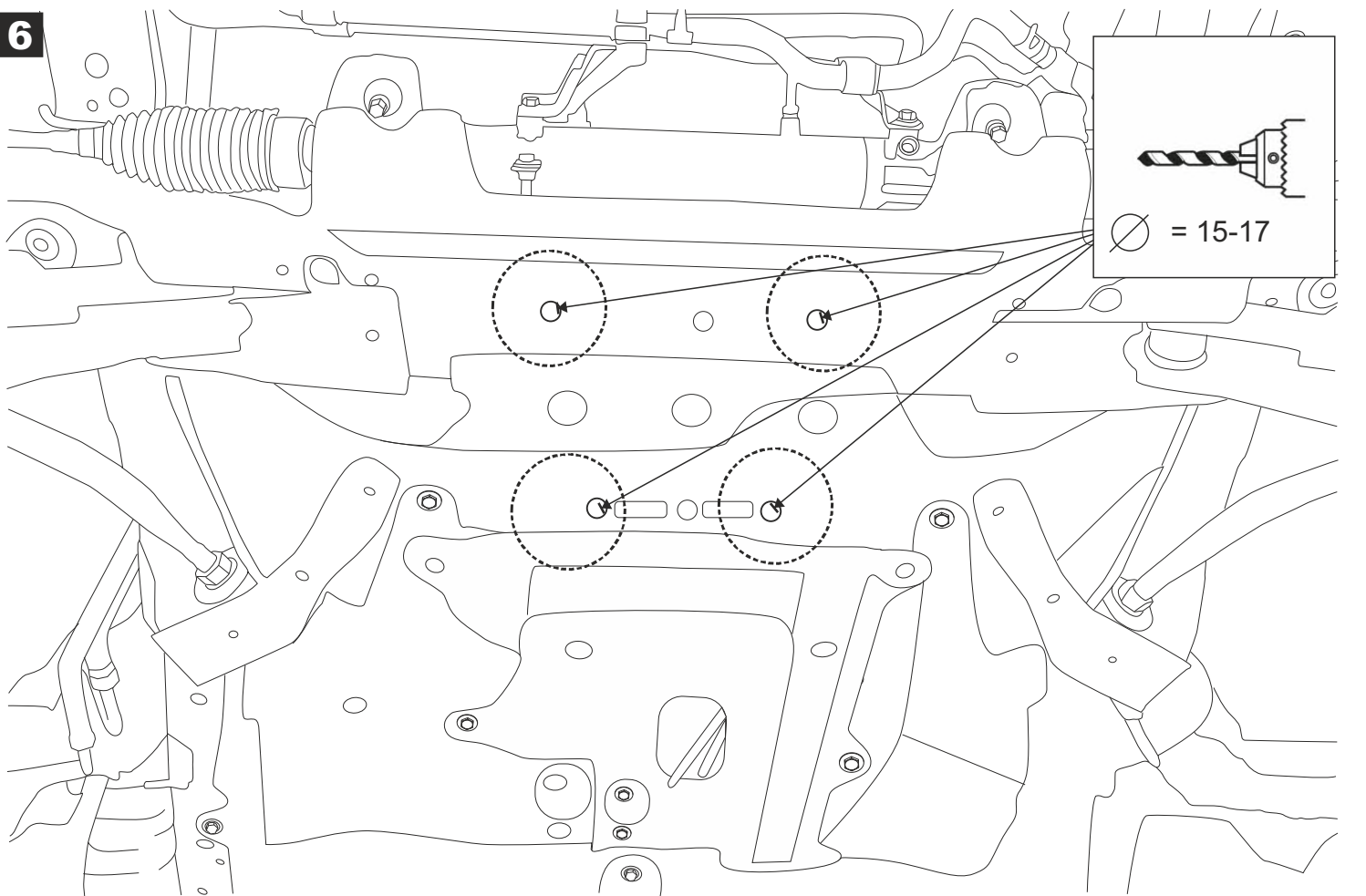
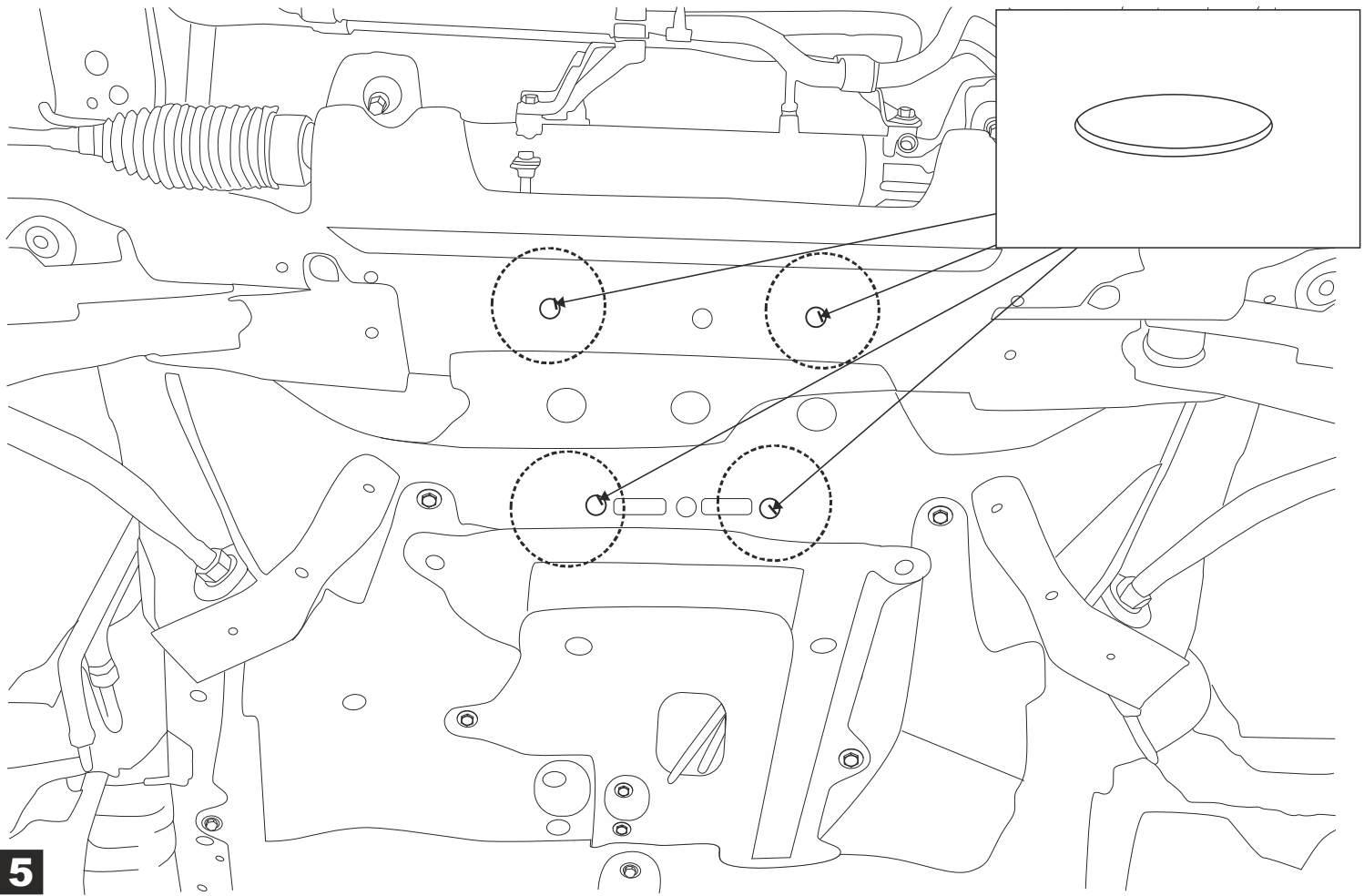
3



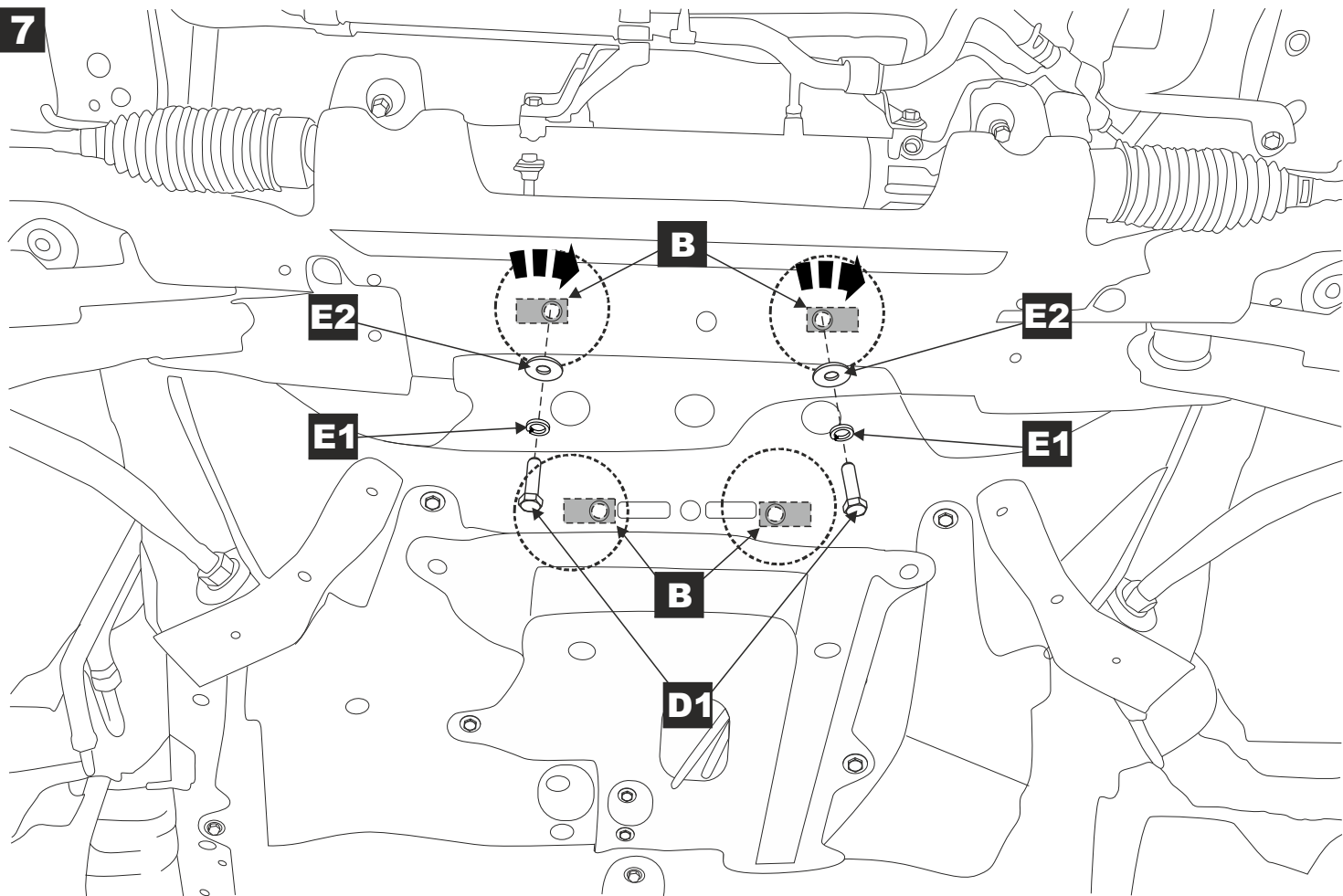
M8 **Ok**



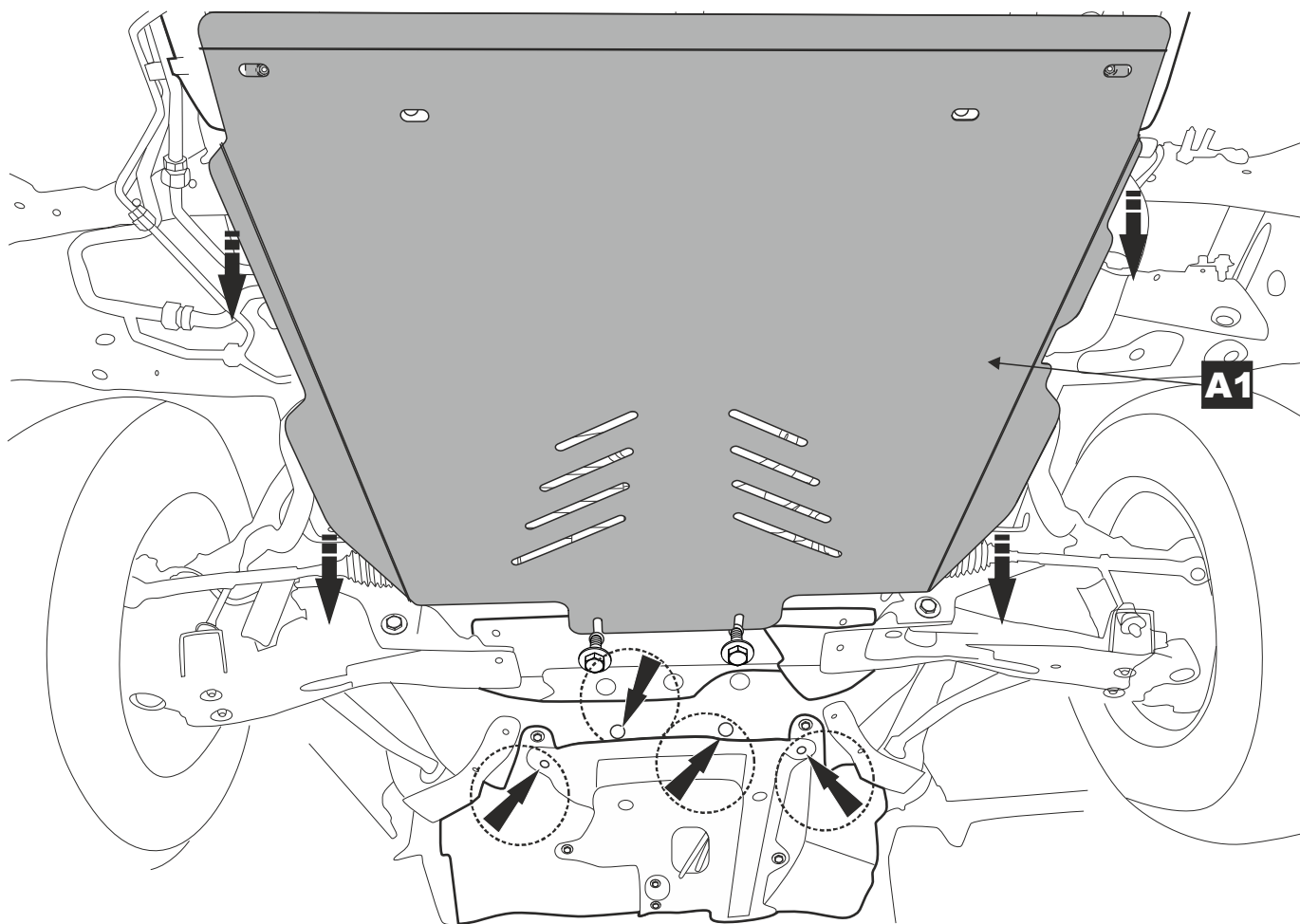
4



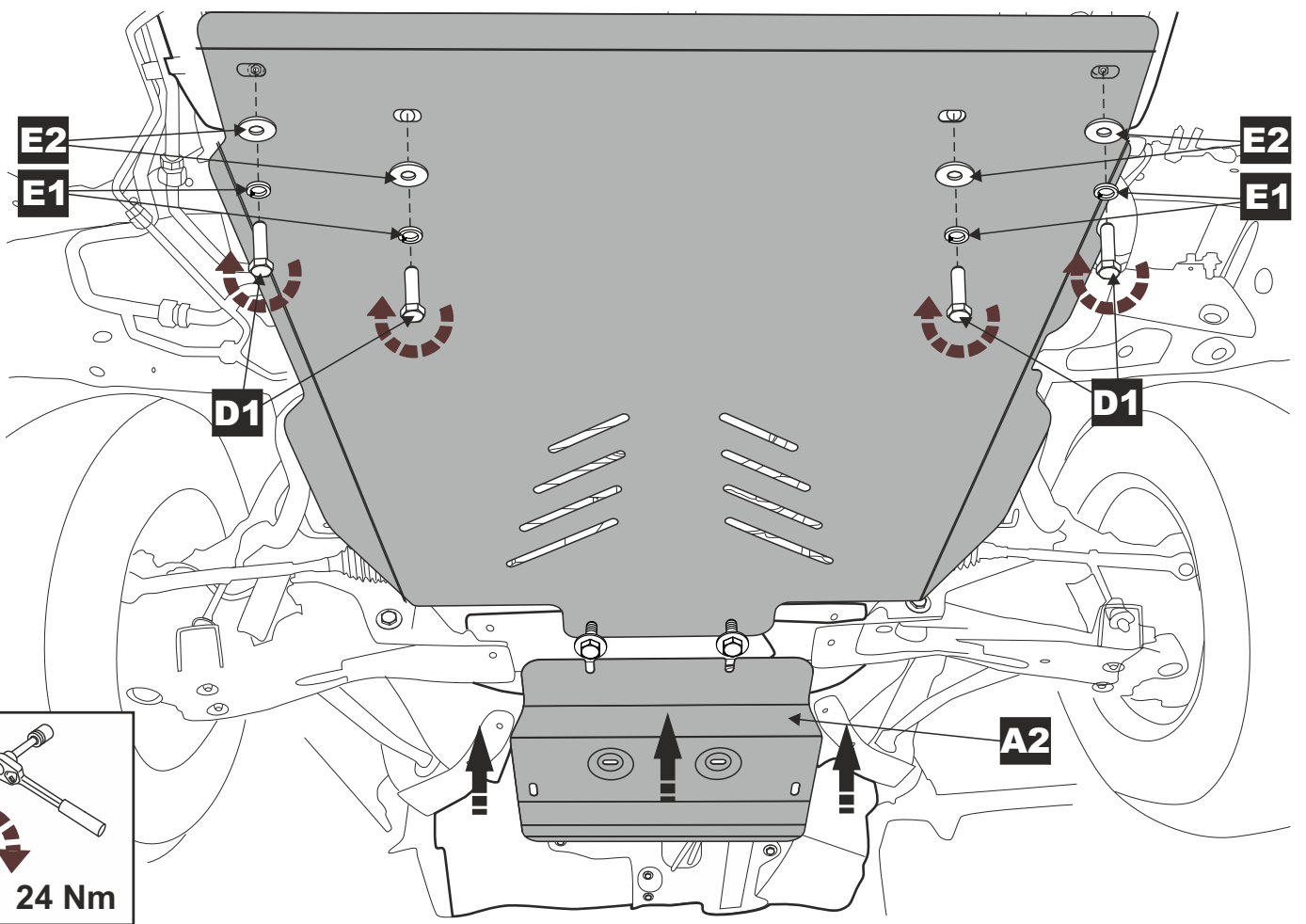
7



8



9



10

